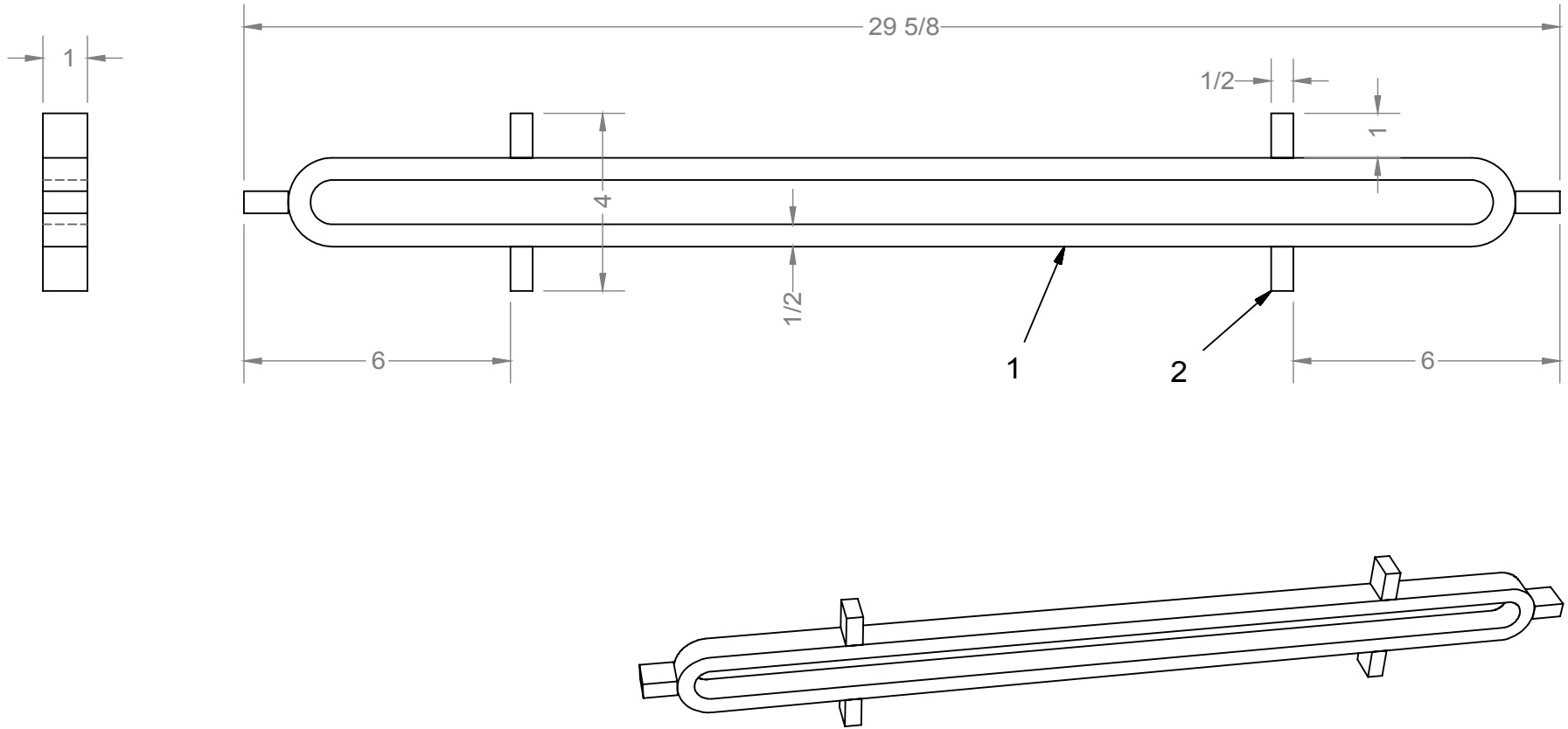


PARTS LIST				Note: QTY is related to one Subassy only, not the entire project.	
ITEM	PART NUMBE	TITLE	DESCRIPTION	QTY	
1	BTR-410	Embellishment	Oblong Embellishment	1	
2	BTR-214	Spacer	1/2 x 1 x 1 Flat Bar	6	



© 2004 Vista Engineering Corporation
 THIS DRAWING CONTAINS PROPRIETARY INFORMATION AND SHALL NOT BE USED IN ANY MANNER WITHOUT EXPRESS PERMISSION OF VISTA ENGINEERING CORPORATION OR ITS CLIENTS

DRAWN BY: IdealTech
 DESIGN BY: VISTA Engineering
 CHECKED BY: P. PALUMBO
 APPROVED BY: P. PALUMBO
 SCALE: As Indicated
 DATE: 8/26/2004

TOLERANCES
 Decimals:
 x.xxxx 0.0005
 x.xxx 0.005
 x.xx 0.010
 x.x 0.1"
 Unless Otherwise Noted

Title: **Embellishment Weldment**
 Description: **Oblong Embellishment**
 Project: **Floor Pick-Up Unwind (FPU)**

Entire Project Qty:
 Sheet 1 of 1
 BTR-040