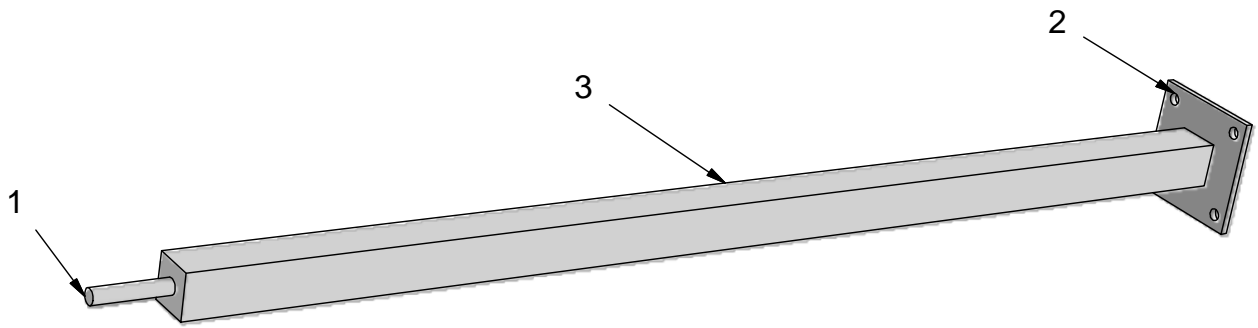
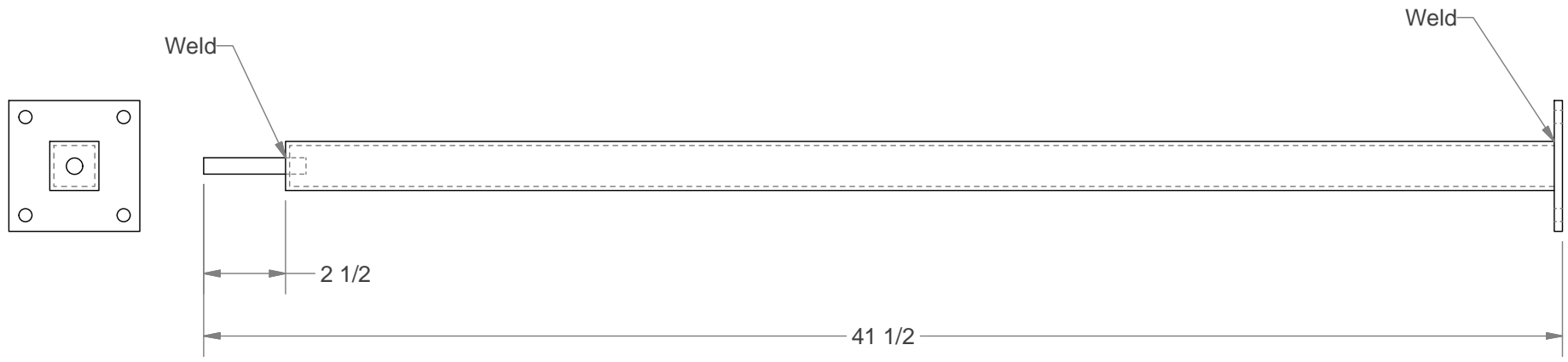


PARTS LIST			Note: QTY is related to one Subassy only, not the entire project.	
ITEM	PART NUMBE	TITLE	DESCRIPTION	QTY
1	BSR-302	Pin	Railing Pin	1
2	BSR-306	Plate	4 x 4 Mounting Plate	1
3	BSR-324	Post	1-1/2 x 1-1/2 Post - Longer	1



IGNAC BLACKSMITH INC. ART METAL STUDIO Mississauga, Ontario, Canada	© 2004 IGNAC BLACKSMITH INC. THIS DRAWING CONTAINS PROPRIETARY INFORMATION AND SHALL NOT BE USED IN ANY MANNER WITHOUT EXPRESS PERMISSION OF IGNAC BLACKSMITH CORPORATION OR ITS CLIENTS	DRAWN BY: IdealTech	TOLERANCES Decimals: x.xxxxx 0.0005 x.xxx 0.005 x.xx 0.010 x.x 0.1" Unless Otherwise Noted	Title: Post Weldment	Entire Project Qty:
		DESIGN BY: IGNAC BLACKSMITH INC.		Description: Post Weldment - Longer	Sheet 1 of 1
		CHECKED BY: IGNAC BLACKSMITH INC.		Project: Building Stairs Railing (BSR)	BSR-033
		APPROVED BY: IGNAC BLACKSMITH INC.			
SCALE: As Indicated	DATE: 10/27/2004				