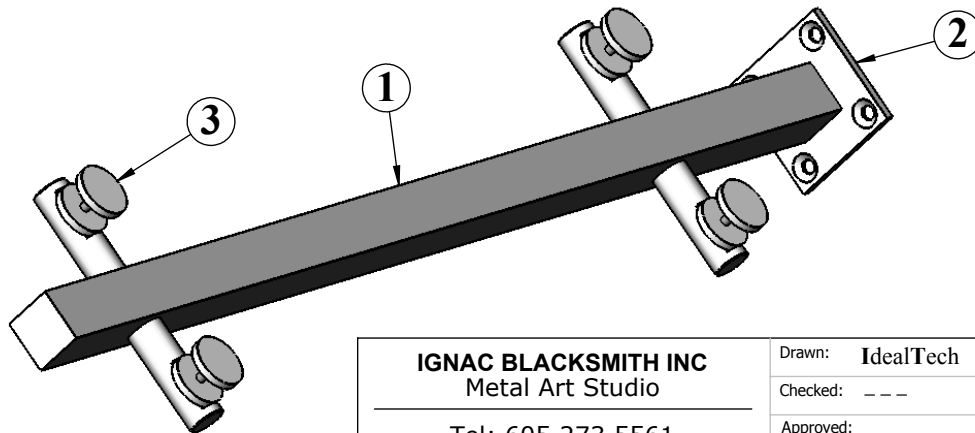
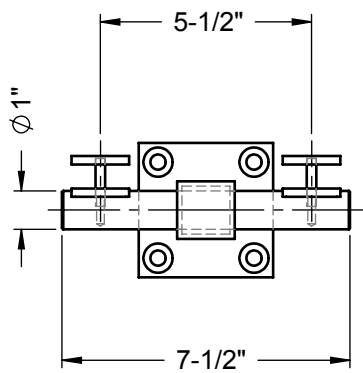
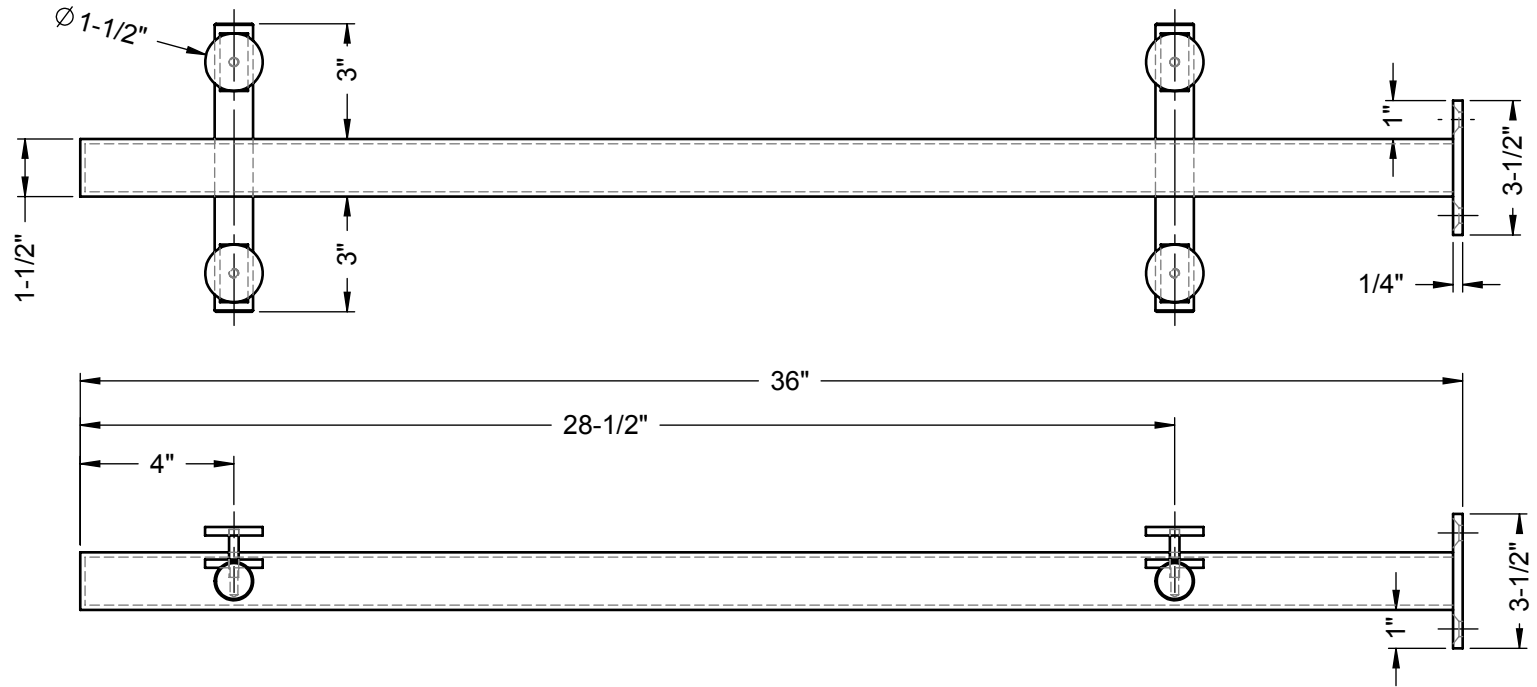


ITEM	PART No.	DESCRIPTION	QTY.
1	IHZ-226	Post	1
2	IHZ-227	Mntg. Plate	1
3	IHZ-000		2



IGNAC BLACKSMITH INC Metal Art Studio Tel: 605.273.5561 Fax: 905.273.5562 www.ignacblacksmith.com info@ignacblacksmith.com	Drawn: IdealTech Checked: --- Approved: --- Design: --- Created: ---	TOLERANCES Decimals: x.xxxx 0.0005" x.xxx 0.005" x.xx 0.01" x.x 0.1"	Description: Material: Finish/Notes: SCALE: 1:10	Subassy QTY Sheet 1 of 1 IHZ-001 Project Drawing	Total
	SIZE A Unless otherwise specified dimensions are in inches	REV			