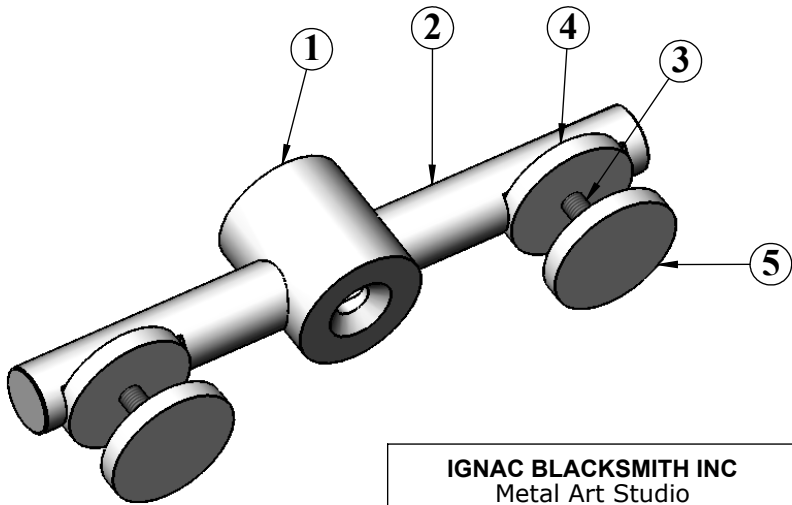
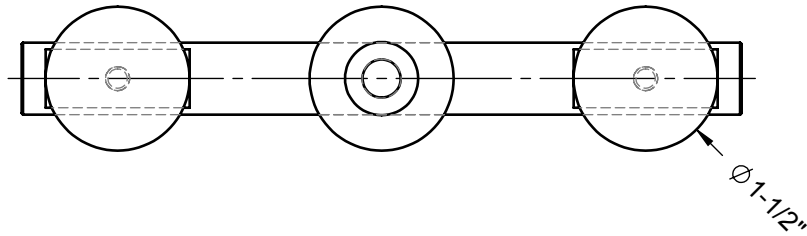
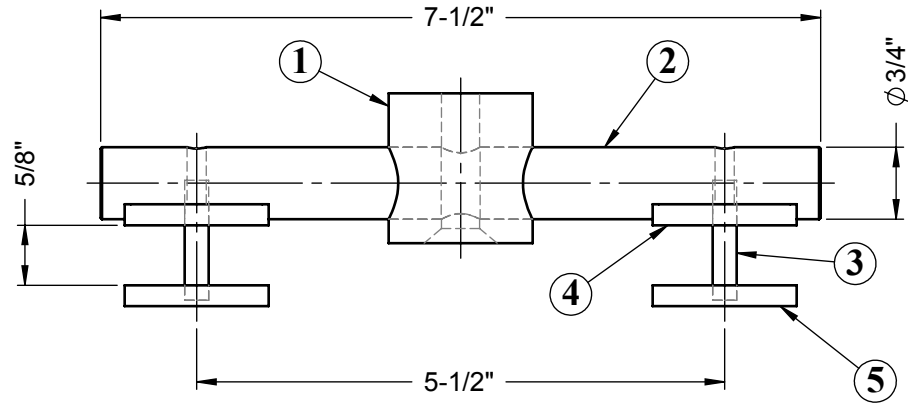
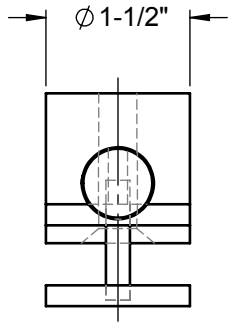


ITEM	PART No.	DESCRIPTION	QTY.
1	IHZ-229		1
2	IHZ-228		1
3	IHZ-225		2
4	IHZ-224		2
5	IHZ-223		2



IGNAC BLACKSMITH INC Metal Art Studio Tel: 605.273.5561 Fax: 905.273.5562 www.ignacblacksmith.com info@ignacblacksmith.com	Drawn: IdealTech Checked: --- Approved: --- Design: --- Created: ---	TOLERANCES Decimals: x.xxxx 0.0005" x.xxx 0.005" x.xx 0.01" x.x 0.1"	Description: Material: Finish/Notes: SCALE: 1:1	Subassy QTY Sheet 1 of 1 IHZ-002 Project Drawing	Total
	SIZE A	Unless otherwise specified dimensions are in inches	REV		