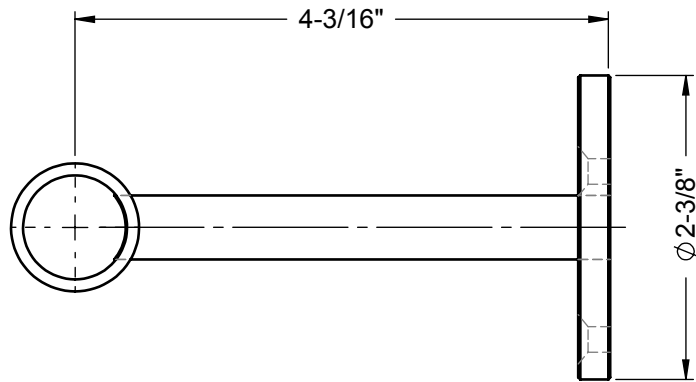
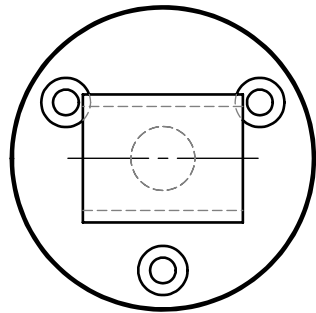
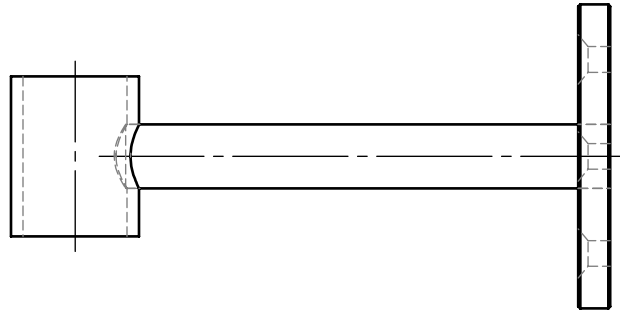
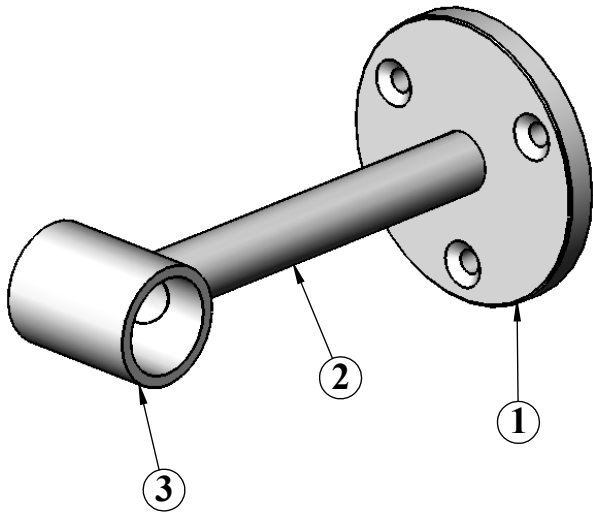


ITEM	PART No.	DESCRIPTION	QTY.
1	IHZ-245		1
2	IHZ-246		1
3	IHZ-247		1



<b>IGNAC BLACKSMITH INC</b> Metal Art Studio  Tel: 605.273.5561 Fax: 905.273.5562 www.ignacblacksmith.com info@ignacblacksmith.com	Drawn: <b>IdealTech</b>	<b>TOLERANCES</b> Decimals: x.xxxx 0.0005" x.xxx 0.005" x.xx 0.01" x.x 0.1"  Unless otherwise specified dimensions are in inches	Description:		Subassy <b>QTY</b> Total
	Checked: ---		Material:		
	Approved: ---		Finish/Notes:		Sheet 1 of 1
	Design: ---		SIZE <b>A</b>	SCALE: 1:2	REV
Created: ---					