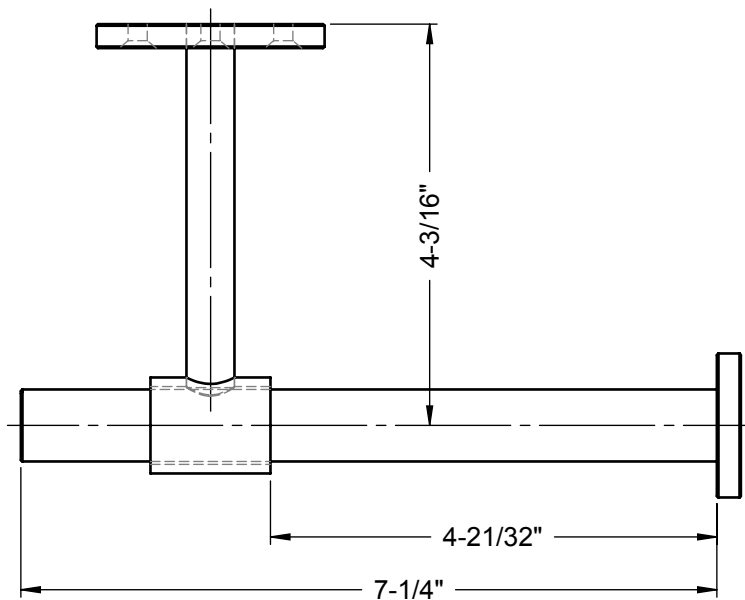
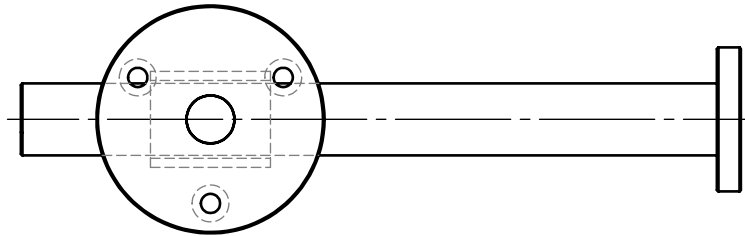
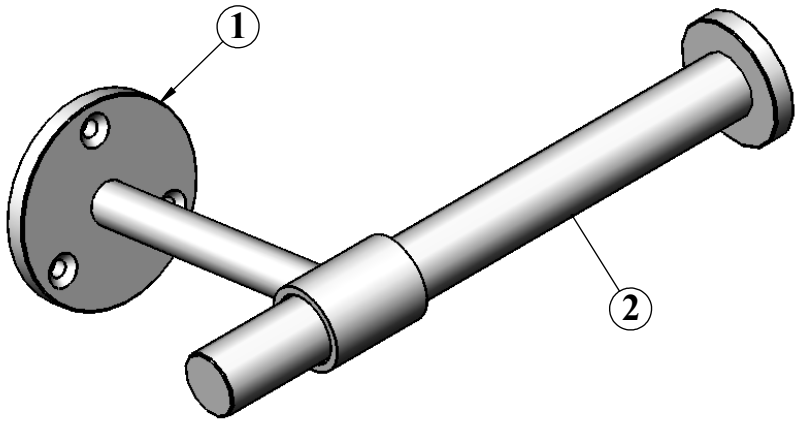


ITEM	PART No.	DESCRIPTION	QTY.
1	IHZ-003		1
2	IHZ-243		1



IGNAC BLACKSMITH INC
Metal Art Studio

Tel: 605.273.5561
Fax: 905.273.5562
www.ignacblacksmith.com
info@ignacblacksmith.com

Drawn: **IdealTech**

Checked: ---

Approved: ---

Design: ---

Created: ---

SIZE
A

TOLERANCES
Decimals:

x.xxxx 0.0005"
x.xxx 0.005"
x.xx 0.01"
x.x 0.1"

Unless otherwise specified
dimensions are in inches

Description:

Material:

Finish/Notes:

SCALE: 1:5

REV

Subassy	QTY	Total
Sheet 1 of 1		
IHZ-004		
Project	Drawing	