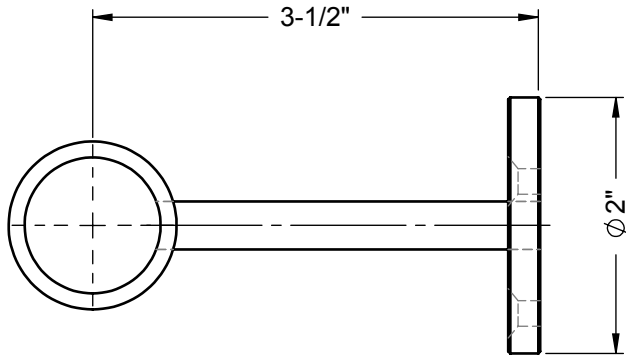
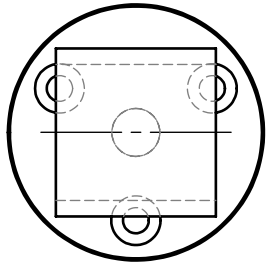
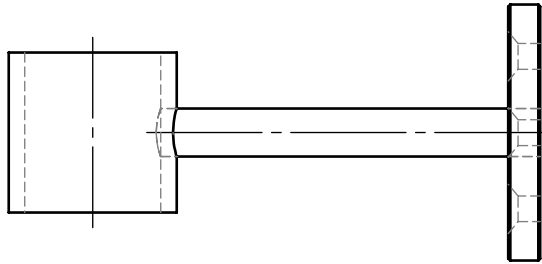
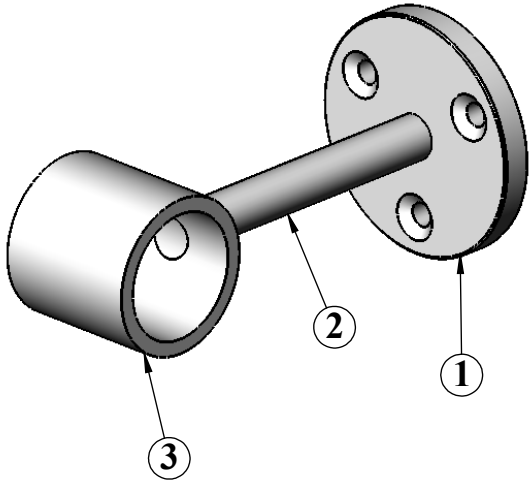


ITEM	PART No.	DESCRIPTION	QTY.
1	IHZ-255		1
2	IHZ-256		1
3	IHZ-257		1



IGNAC BLACKSMITH INC Metal Art Studio Tel: 605.273.5561 Fax: 905.273.5562 www.ignacblacksmith.com info@ignacblacksmith.com	Drawn: IdealTech	TOLERANCES Decimals: x.xxxx 0.0005" x.xxx 0.005" x.xx 0.01" x.x 0.1" Unless otherwise specified dimensions are in inches	Description:		Subassy QTY Total	
	Checked: ---		Material:			
	Approved: ---		SIZE A	Finish/Notes:		Sheet 1 of 1
	Design: ---		Created: ---	SCALE: 1:2	REV	IHZ-005 Project Drawing