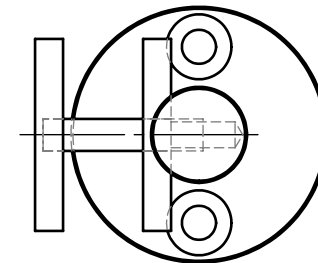
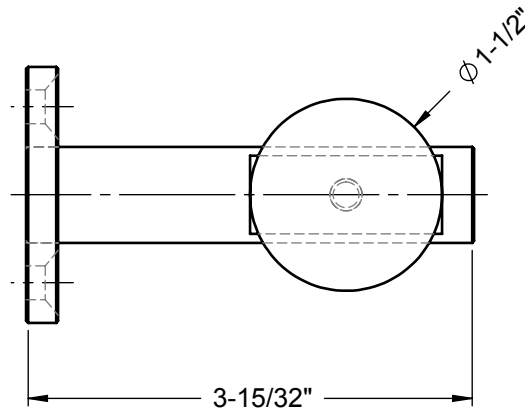
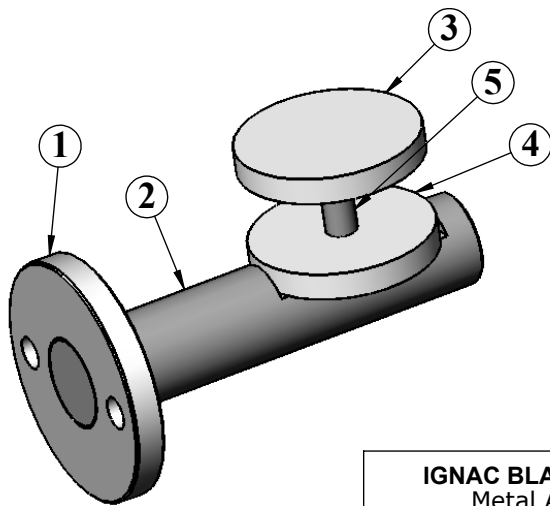
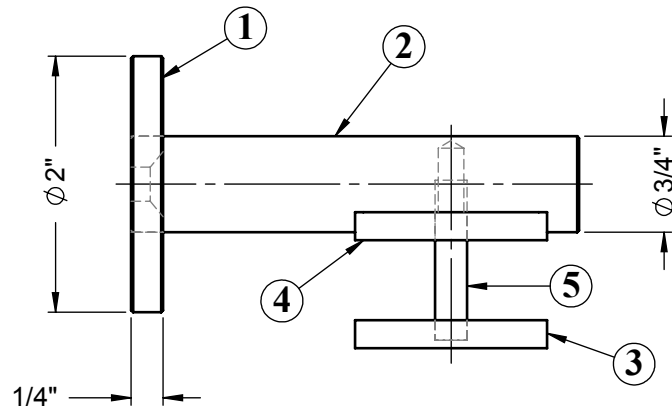


ITEM	PART No.	DESCRIPTION	QTY.
1	IHZ-233		1
2	IHZ-232		1
3	IHZ-223		1
4	IHZ-224		1
5	IHZ-225		1



<b>IGNAC BLACKSMITH INC</b> Metal Art Studio  Tel: 605.273.5561 Fax: 905.273.5562 www.ignacblacksmith.com info@ignacblacksmith.com	Drawn: <b>IdealTech</b> Checked: --- Approved: --- Design: --- Created: ---	<b>TOLERANCES</b> Decimals: x.xxxx 0.0005" x.xxx 0.005" x.xx 0.01" x.x 0.1"  <b>A</b> Unless otherwise specified dimensions are in inches	Description: Material: Finish/Notes:	Subassy <b>QTY</b> Total  <b>Sheet 1 of 1</b> <b>IHZ-007</b> Project Drawing
	<b>SIZE</b> <b>A</b>		REV	SCALE: 1:1