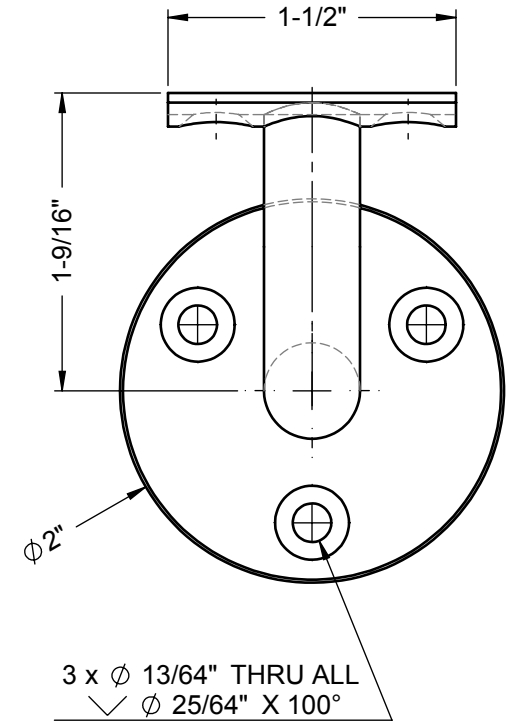
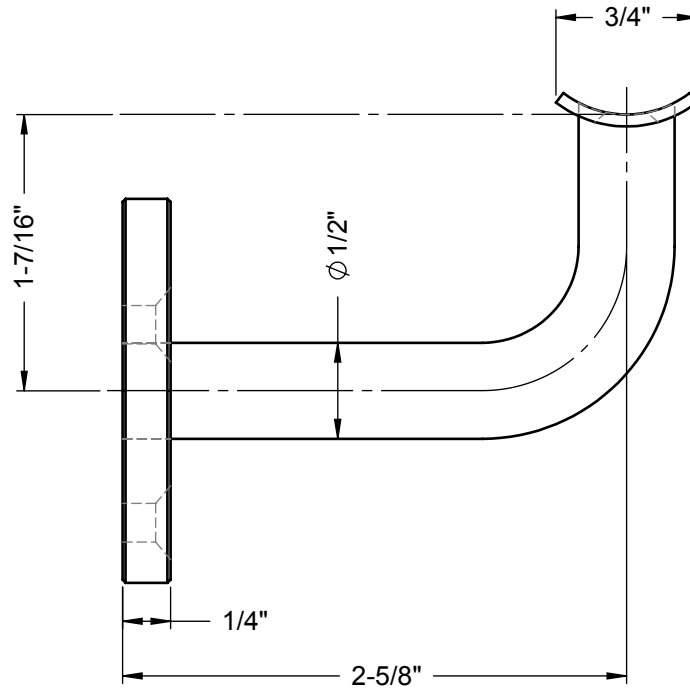
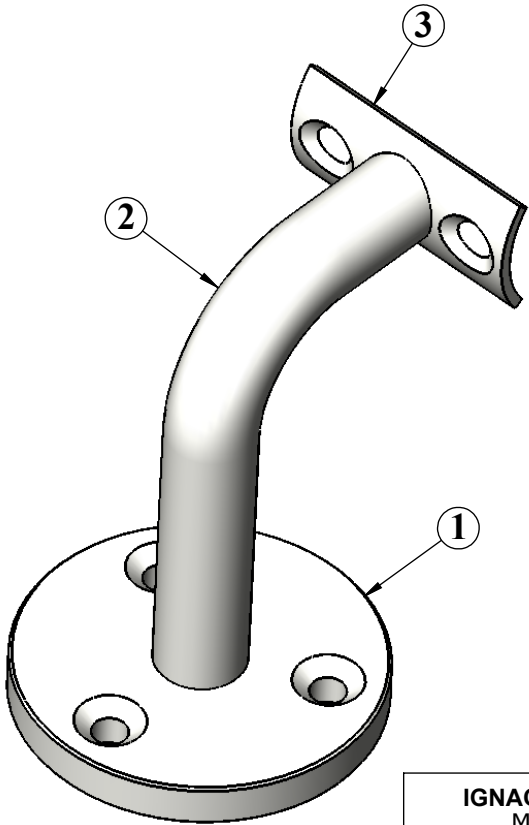


ITEM	PART No.	DESCRIPTION	QTY.
1	IHZ-254	Mntg. Plate	1
2	IHZ-253	Bent Rod	1
3	IHZ-252	Screw Bracket	1



IGNAC BLACKSMITH INC
 Metal Art Studio

Tel: 605.273.5561
 Fax: 905.273.5562
 www.ignacblacksmith.com
 info@ignacblacksmith.com

Drawn: **IdealTech**

Checked: ---

Approved: ---

Design: ---

Created: ---

SIZE

A

TOLERANCES

Decimals:

x.xxxx 0.0005"
 x.xxx 0.005"
 x.xx 0.01"
 x.x 0.1"

Unless otherwise specified
 dimensions are in inches

Description: WELDMENT - Handrail Mntg.

Material:

Finish/Notes:

SCALE: 1:1

REV

QTY

Subassy

Total

Sheet 1 of 1

IHZ-009

Project Drawing