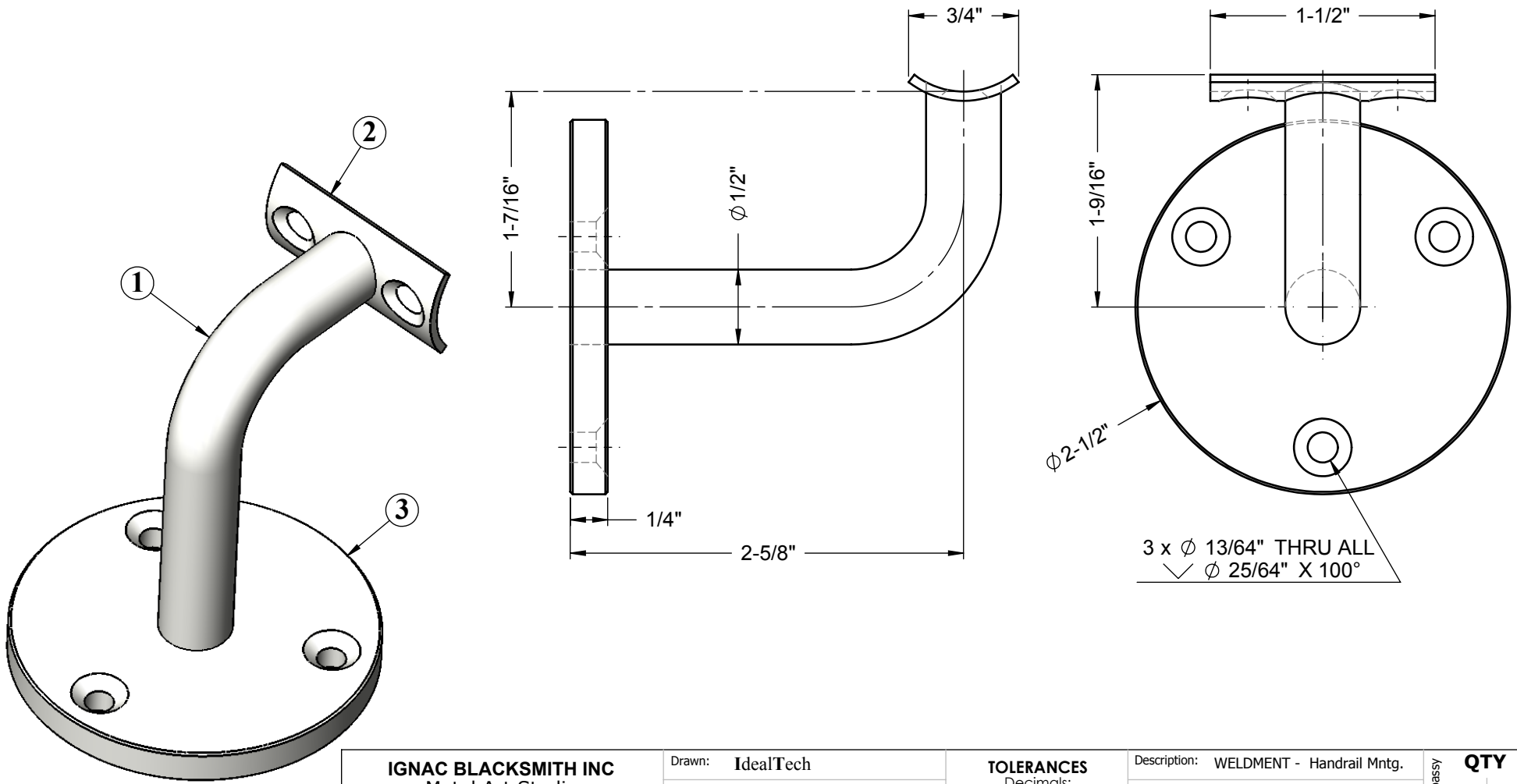


ITEM	PART No.	DESCRIPTION	QTY.
1	IHZ-253	Bent Rod	1
2	IHZ-252	Screw Bracket	1
3	IHZ-251	Mntg. Plate	1



**IGNAC BLACKSMITH INC**  
Metal Art Studio

---

Tel: 605.273.5561  
Fax: 905.273.5562  
www.ignacblacksmith.com  
info@ignacblacksmith.com

Drawn: IdealTech	<b>A</b>
Checked: ---	
Approved: ---	
Design: ---	
Created: ---	

**TOLERANCES**  
Decimals:

x.xxxx	0.0005"
x.xxx	0.005"
x.xx	0.01"
x.x	0.1"

Unless otherwise specified  
dimensions are in inches

Description: WELDMENT - Handrail Mntg.	REV
Material:	
Finish/Notes:	
SCALE: 1:1	

Subassy	<b>QTY</b>	Total
Sheet 1 of 1	<b>IHZ-010</b>	
Project	Drawing	