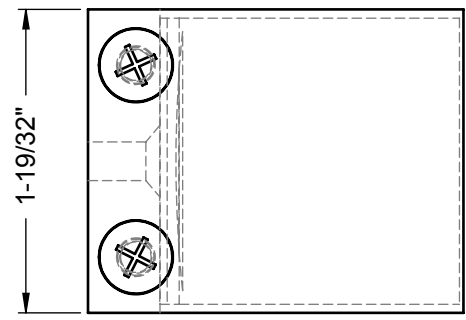
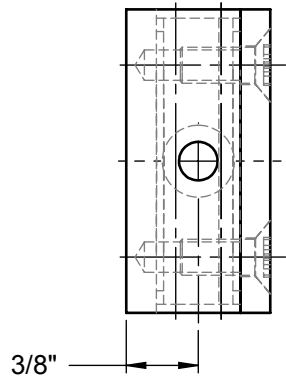
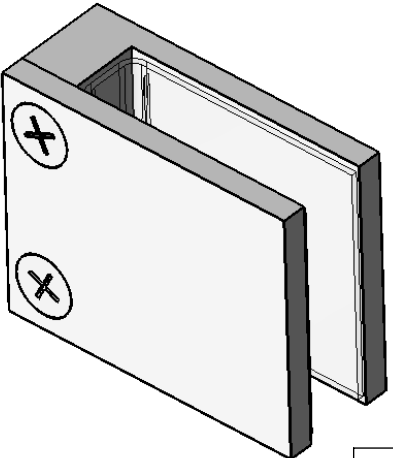
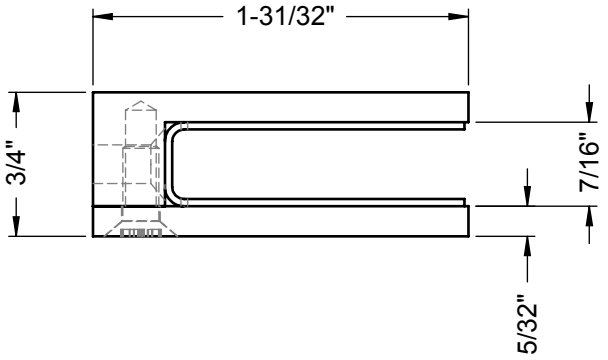
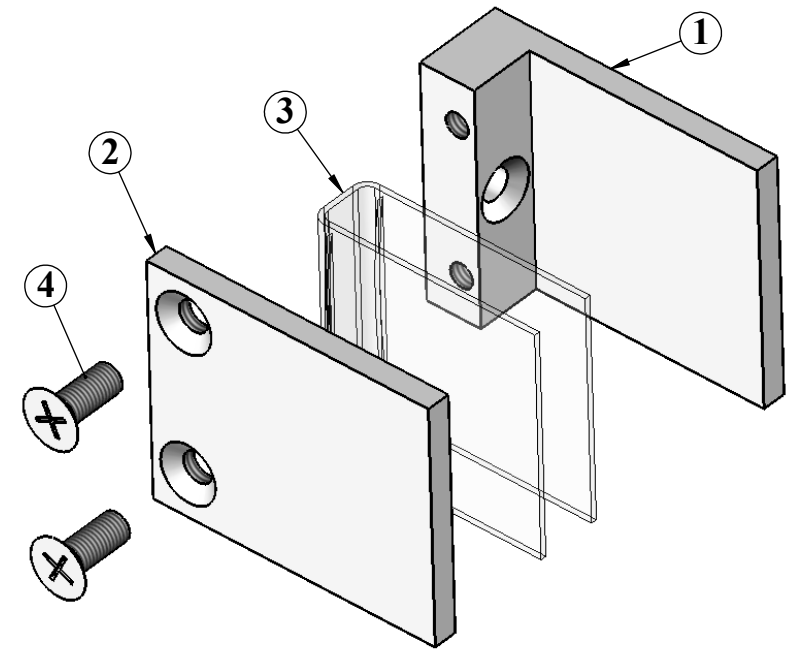


ITEM	PART No.	DESCRIPTION	QTY.
1	IHZ-311		1
2	IHZ-312		1
3	IHZ-313		1
4	IHZ-314		2



<b>IGNAC BLACKSMITH INC</b> Metal Art Studio  Tel: 605.273.5561 Fax: 905.273.5562 www.ignacblacksmith.com info@ignacblacksmith.com		Drawn: <b>IdealTech</b> Checked: --- Approved: --- Design: --- Created: ---	<b>TOLERANCES</b> Decimals: x.xxxx 0.0005" x.xxx 0.005" x.xx 0.01" x.x 0.1"	Description: Material: Finish/Notes:	<b>QTY</b> Subassy Total
		SIZE <b>A</b> Unless otherwise specified dimensions are in inches	REV SCALE: 1:1	Sheet 1 of 1 <b>IHZ-011</b> Project Drawing	