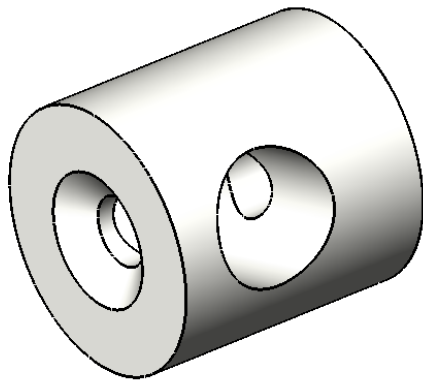
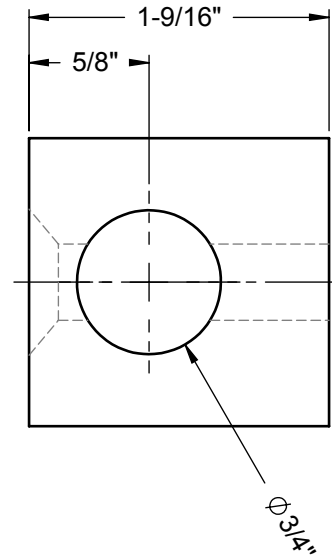
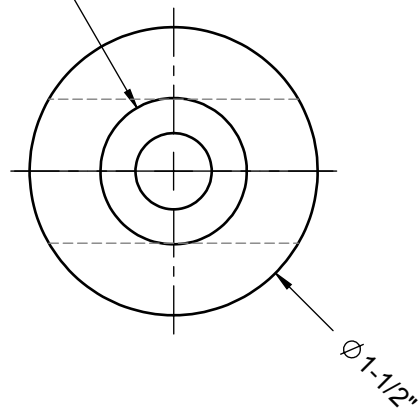


$\phi$  25/64" THRU ALL  
 $\surd$   $\phi$  49/64" X 100°



<b>IGNAC BLACKSMITH INC</b> Metal Art Studio  Tel: 605.273.5561 Fax: 905.273.5562 www.ignacblacksmith.com info@ignacblacksmith.com	Drawn: <b>IdealTech</b>	<b>TOLERANCES</b> Decimals: x.xxxx 0.0005" x.xxx 0.005" x.xx 0.01" x.x 0.1"  Unless otherwise specified dimensions are in inches	Description:		Subassy	<b>QTY</b>	Total	
	Checked: ---		Material:					
	Approved: ---		Finish/Notes:		Sheet 1 of 1			
	Design: ---		SIZE	REV		<b>IHZ-229</b>		
	Created: ---		<b>A</b>	SCALE: 1:1		Project Drawing		