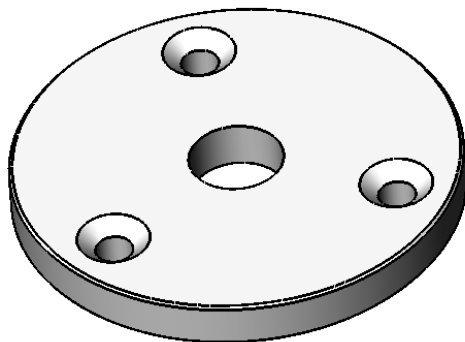
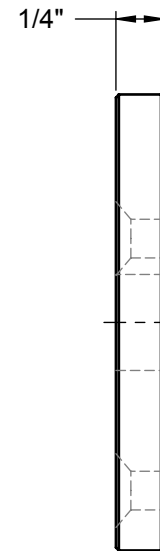
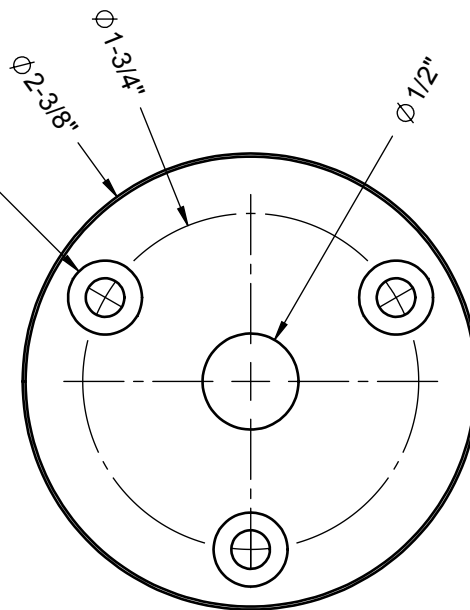


3 x ϕ 13/64" THRU ALL
 \surd ϕ 25/64" X 100°



IGNAC BLACKSMITH INC
 Metal Art Studio

Tel: 605.273.5561
 Fax: 905.273.5562
 www.ignacblacksmith.com
 info@ignacblacksmith.com

Drawn: **IdealTech**

Checked: ---

Approved: ---

Design: ---

Created: ---

SIZE

A

TOLERANCES

Decimals:

x.xxxx 0.0005"
 x.xxx 0.005"
 x.xx 0.01"
 x.x 0.1"

Unless otherwise specified
 dimensions are in inches

Description:

Material:

Finish/Notes:

SCALE: 1:1

REV

Subassy	QTY	Total
	Sheet 1 of 1	
IHZ-245		Project Drawing