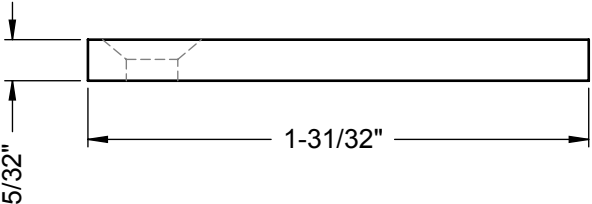
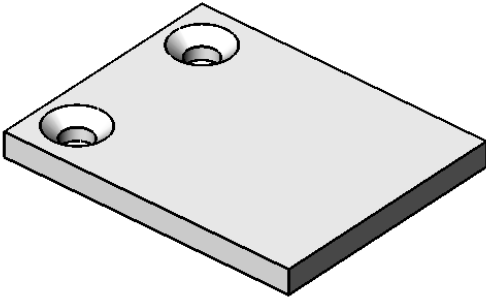
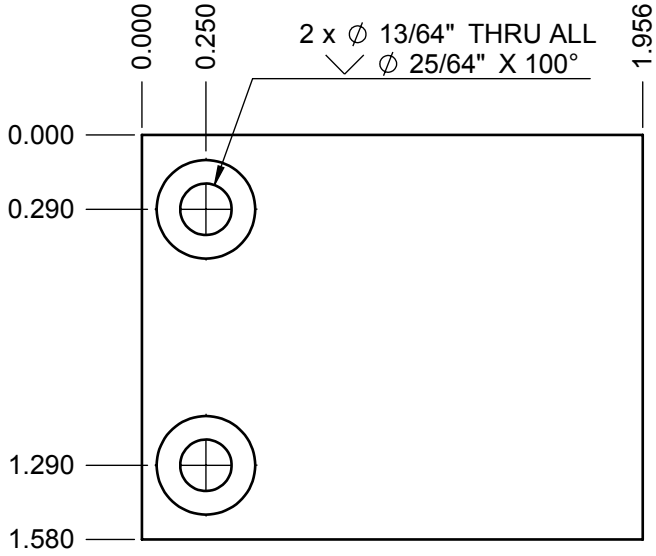


Not Approved for Production!
 (Verify dimensions before release)



| | | | | | |
|--|-------------------------|--|------------------|-----|-----------------------------------|
| IGNAC BLACKSMITH INC Metal Art Studio Tel: 605.273.5561 Fax: 905.273.5562 www.ignacblacksmith.com info@ignacblacksmith.com | Drawn: IdealTech | TOLERANCES Decimals: x.xxxx 0.0005" x.xxx 0.005" x.xx 0.01" x.x 0.1" Unless otherwise specified dimensions are in inches | Description: | | Subassy QTY Total |
| | Checked: --- | | Material: | | |
| | Approved: --- | | Finish/Notes: | | Sheet 1 of 1 |
| | Design: --- | | SIZE A | REV | IHZ-312 Project Drawing |
| | Created: --- | | SCALE: 1:1 | | |