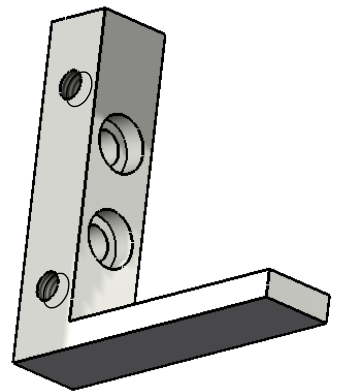
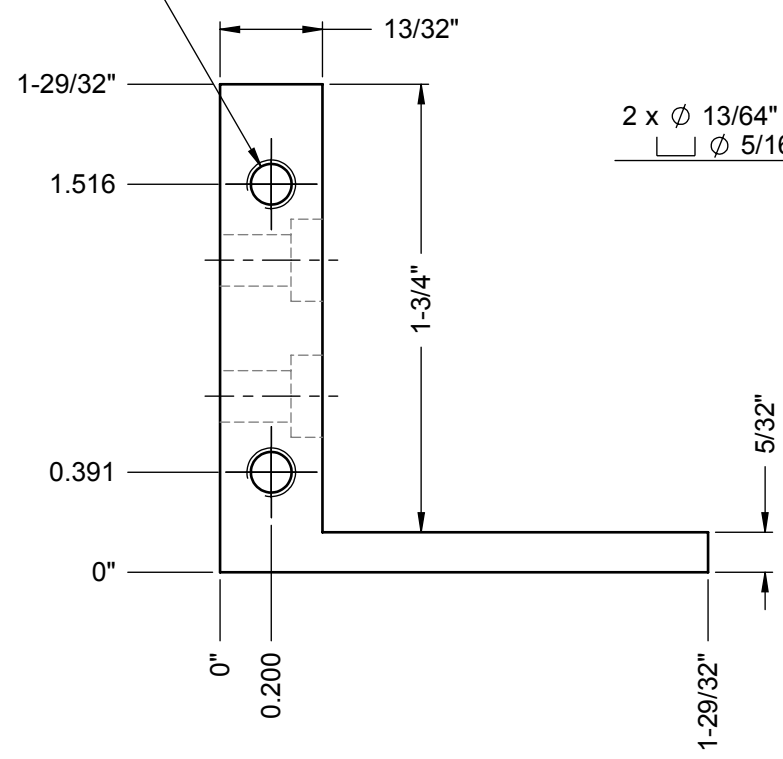


Not Approved for Production!
 (Verify dimensions before release)
 See Note below for more info!

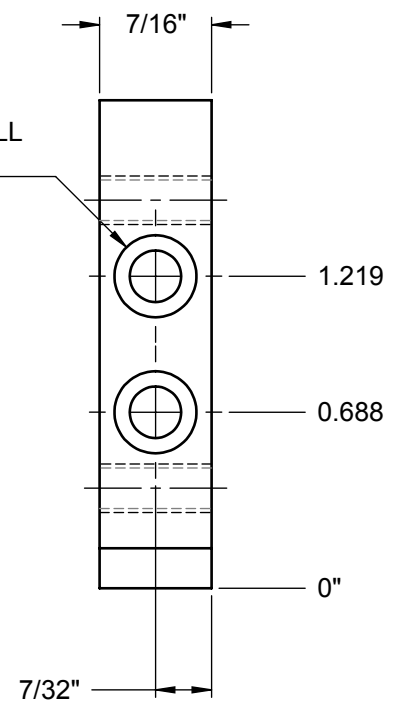
Important Note!
 This is initial, not finalized drawing,
 not verified and not approved.
 Verify dimensions or provide
 sketch or the part to IdealTech
 for approval.



2 x ϕ 5/32" THRU ALL
 10-32 UNF THRU ALL



2 x ϕ 13/64" THRU ALL
 \square ϕ 5/16" ∇ 1/8"



IGNAC BLACKSMITH INC Metal Art Studio Tel: 605.273.5561 Fax: 905.273.5562 www.ignacblacksmith.com info@ignacblacksmith.com	Drawn: IdealTech	TOLERANCES Decimals: x.xxxx 0.0005" x.xxx 0.005" x.xx 0.01" x.x 0.1" Unless otherwise specified dimensions are in inches	Description:		Subassy QTY Total
	Checked: ---		Material:		
	Approved: ---		Finish/Notes:		Sheet 1 of 1
	Design: ---		SIZE A	REV	IHZ-321 Project Drawing
Created: ---		SCALE: 1:1			