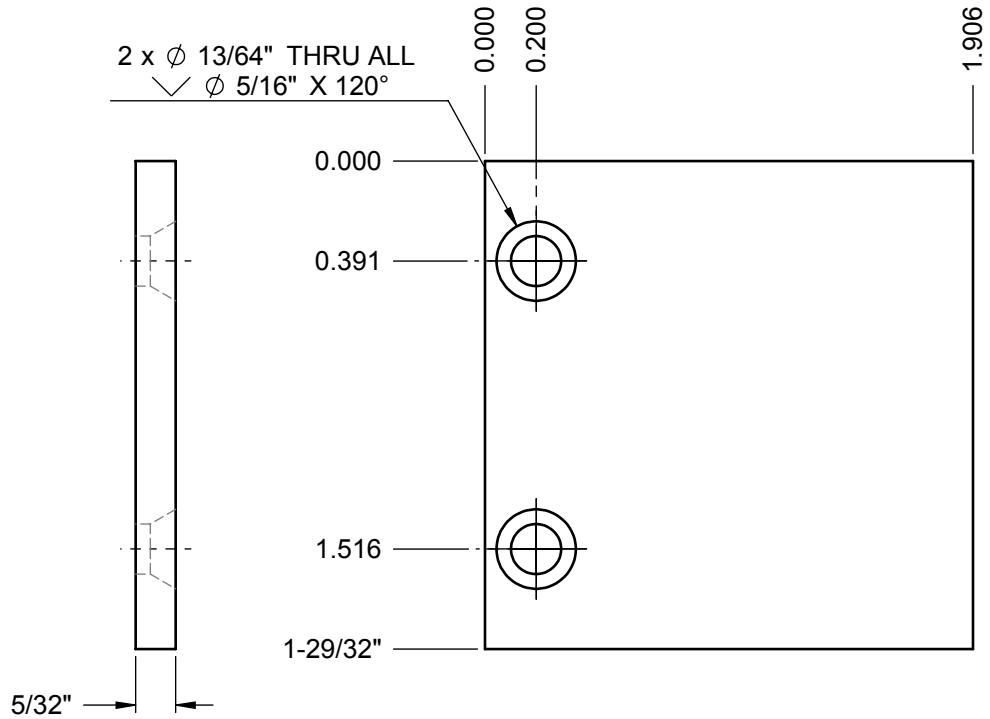
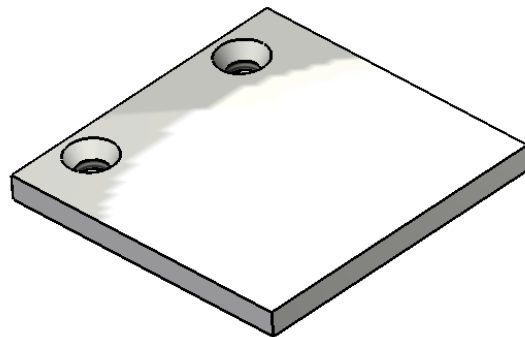


Not Approved for Production!
 (Verify dimensions before release)
 See Note for more info!

Important Note!

This is initial, not finalized drawing,
 not verified and not approved.
 Verify dimensions or provide
 sketch or the part to IdealTech
 for approval.



IGNAC BLACKSMITH INC Metal Art Studio Tel: 605.273.5561 Fax: 905.273.5562 www.ignacblacksmith.com info@ignacblacksmith.com	Drawn: IdealTech	TOLERANCES Decimals: x.xxxx 0.0005" x.xxx 0.005" x.xx 0.01" x.x 0.1" Unless otherwise specified dimensions are in inches	Description:	Subassy	QTY	Total
	Checked: ---		Material:			
	Approved: ---		Finish/Notes:	Sheet 1 of 1		
	Design: ---		SIZE	REV	IHZ-322 Project Drawing	
	Created: ---		A	SCALE: 1:1		